

# UXR™ - 175BF

USHIO UXR™ Series

**USHIO**

### Electrical characteristics (Initial)

Lamp power	175W
Operating Voltage*	12.5V
Rated lamp current	14A
Lamp current range	12.5~16A

\*Operating current : 14A

### Specifications

Arc gap [Non-operation]	1.1mm
Spectral type	Ozoneless
Window diameter	φ25.4
Reflector	Parabola
Rated lifetime*	500hours

\*Visible output (5mm aperture) is reduced to 50% of the initial value.

### Initial output\* (representative values)

Radiant output	30W
Visible output	1900Lm
Visible output (5mm aperture)	950Lm
Color temperature	6100K

\*Operating current : 14A

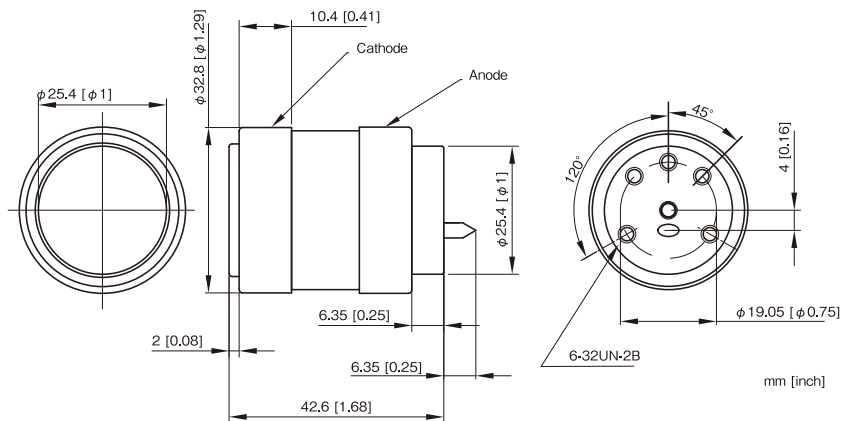
### Operating condition (Power supply)

Power supply	Constant current control / Constant power control
Current Ripple ( P-P )	Max 5%
Igniter voltage	Min AC23kV
Supply voltage	Min 140V

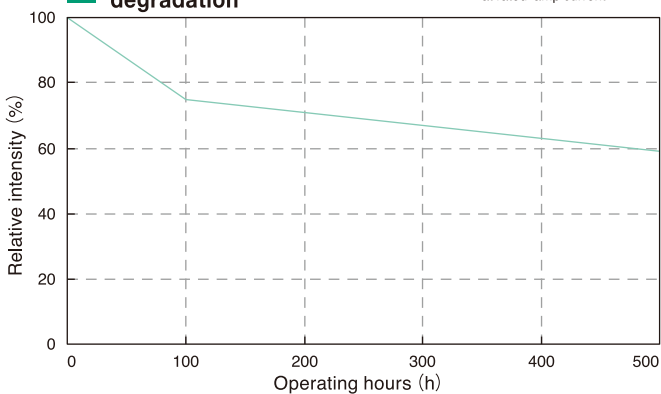
### Operating condition (Lamp)

Operating direction	Horizontal direction	
Cooling	Ceramic body	Max 150°C
	Base	Max 200°C
Forced Cooling	Necessary	

### Appearance



### Visible output (5mm aperture) degradation



Reference value for operating at rated lamp current.

### Spectral distribution

